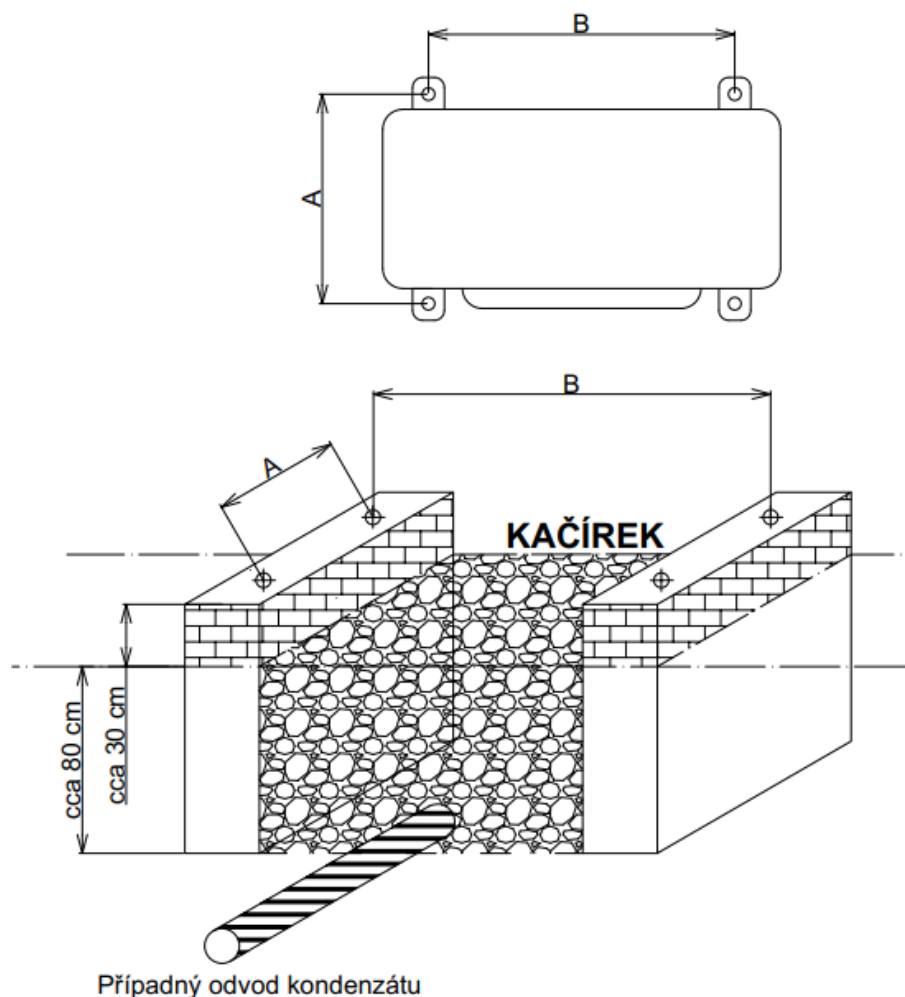


PODSTAVEC VENKOVNÍCH JEDNOTEK TEPELNÝCH ČERPADEL ŘADY S-THERM ONTARIO

Model venkovní jednotky	A [mm]	B [mm]
GSH-40ERB, GSH-40ERB2, GSH-60ERB, GSH-60ERB2	364	560
GSH-80ERB, GSH-80ERB2, GSH-80ERB-3, GSH-100ERB, GSH-100ERB2, GSH-100ERB-3	395	650
GSH-120ERB; GSH-140ERB; GSH-160ERB; GSH-120ERB-3; GSH-140ERB-3; GSH-160ERB-3	460	610
SMH-60IRB; SMH-80IRB	310	680
SMH-100IRB; SMH-100IRB-3; SMH-100IRB2; SMH-100IRB2-3	438	900
SMH-120IRB; SMH-120IRB2; SMH-120IRB-3; SMH-120IRB2-3	438	900
SMH-140IRB; SMH-140IRB2; SMH-140IRB-3; SMH-140IRB2-3	438	900
SMH-160IRB; SMH-160IRB2; SMH-160IRB-3; SMH-160IRB2-3	438	900



SINCLAIR